



FO-F320SUR

Focus 320 Decorative Surround 60"

The Decorative Surround is an option that can be mounted to the facing of the Focus 320 Fireplace to offer a stylish, linear look. This kit includes a 5' length of 8" diameter flexible duct for ambient air intake which cannot be lengthened. Natural convection will provide all of the air required for safe operation, but an optional blower (FO-CIF) will increase the volume of air that passes through the ducts.

❖ **WARNING: TWO GRAVITY VENTS (FO-V2) MUST BE INSTALLED ON THE FIREPLACE TO PERMIT ADEQUATE AIR FLOW WHEN INSTALLING THE DECORATIVE SURROUND.**

❖ **WARNING: USE ONLY GENUINE RSF PARTS. THE USE OF ANY SUBSTITUTES WILL DECERTIFY THE SYSTEM, VOID THE WARRANTY AND MAY PUT YOUR SAFETY AT RISK.**

❖ **WARNING: DO NOT REPLACE THE DECORATIVE AIR INTAKE GRILL FROM THE FO-F320SUR WITH ANY OTHER TYPE OR STYLE OF DECORATIVE GRILL OR SHUTTER. DO NOT BLOCK AIR FLOW IN FRONT OF THE GRILL. YOU MUST ALLOW FREE AIR MOVEMENT.**

INTAKE DUCT INSTALLATION

An air intake duct is required to allow room air to circulate through the fireplace whenever the bottom louver of the fireplace is blocked. Similarly, two gravity vents are required as hot air outlets whenever the top louver is covered.

1. Plan the intake duct run first. Remember that the maximum duct length from the outer casing of the fireplace to the air inlet is 5 feet. There is no maximum number of bends in a run, just make sure that there are no tight bends that could inhibit airflow. The intake duct requires no clearance to combustibles since the air in the duct is at room temperature.
2. At the fireplace, the intake duct connects to the lower left side knockout of the Focus 320. Start by removing the knockout on the fireplace (see Figure 1). Bend out the four tabs to 90°.
3. Use the intake air starter (see Figure 2) to cut through the insulation by rotating it back and forth while pushing against the insulation at the knockout. Remove the cut insulation.
4. Connect the flexible duct to the intake air starter with three of the small self-drilling screws and washers provided. Overlap the intake air starter with flexible duct up to the mid-point only i.e. up to the bead.
5. Insert the intake air starter into the fireplace casing all the way to the mid-point on the starter. Use three of the small self-drilling screws to attach the tabs with pre-punched holes to the intake air starter (see Figure 3). You can use either hole on the top tab.
6. Extend the intake duct as desired, up to the 5' maximum.
7. Make a 10½" x 10½" wall opening into the room where the air intake duct will draw air for circulation. Installing the intake duct in a basement ceiling is acceptable. Framing the opening with 2x4's will make the installation more stable, but drywall anchors can be used as well.

8. Pull the flexible intake duct through the recently cut opening. Attach the duct to the decorative grill adapter (see Figure 2) with three of the small self-drilling screws and washers provided. The tabs in the center of the decorative grill adapter are for mounting the optional In-line Fan (FO-CIF).
9. Push the decorative grill adapter back into the opening so that it sits over the drywall. Then position the decorative grill over the opening and fix it then place with the long black screws provided.

AIR CONTROL HANDLE EXCHANGE

The standard Focus 320 air control handle is too short to be used in combination with the decorative surround so a longer handle is provided.

1. Remove the bottom louver by lifting it off the clips that hold it in place. The louvers will not be necessary when the surround is installed. You can consult the owner's manual of the fireplace for more detailed information to remove the louvers.
2. To remove the existing air control handle use a 7/16 wrench. Loosen the bolt at the base of the handle while holding the nut on top.
3. Take notice of which bead of the chain is hooked on the control handle and make sure to attach it at the same bead on the new control handle.
4. Install the extended handle in the same fashion as the original (see Figure 4). Do not over tighten the nut; the handle should move freely, but should not feel loose.

♦ **NOTE:** Before continuing, record the serial number of your fireplace. It is marked on the listing label in the bottom opening of your fireplace, below the floor shield under the firebox. It is also on the owner's manual bag and written on the side of the fireplace. The serial number will be necessary for warranty coverage. It will also help you get the correct parts when ordering replacement parts.

DECORATIVE SURROUND INSTALLATION

1. Remove the top louver by lifting it off the clips that hold it in place. The louvers will not be necessary when the surround is installed.
2. Install the top mounting bracket (the one with no slot) on the fireplace in the orientation shown in Figure 5. The rear portion of the top mounting bracket should be in contact with the top of the top louver opening. Screw the top mounting bracket directly to the facing of the fireplace with the large self-drilling screws provided.
3. Install the bottom mounting bracket (the one with a slot for the draft control handle) on the fireplace in the orientation shown in Figure 5. The rear portion of the bottom mounting bracket should be flush with the bottom of the bottom louver opening. Screw the bottom mounting bracket directly to the facing of the fireplace with the large self-drilling screws provided.
4. Lay the four panels of the decorative surround face down on flat surface and connect them with eight of the large self-drilling screws provided (see Figure 6).
5. With the fireplace door closed, lift the assembled decorative surround and rest it on the mounting brackets that are installed on the fireplace.
6. Open the fireplace door and screw the surround to the mounting brackets at the pre-punched locations with the four black self-drilling screws provided (see Figure 7).

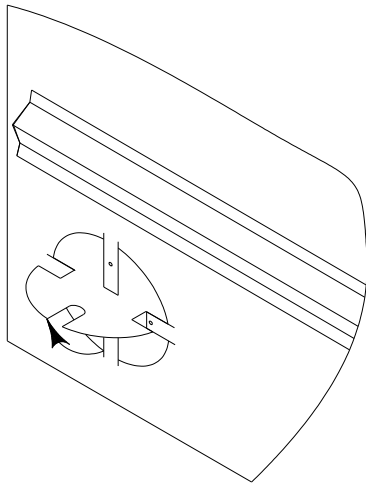
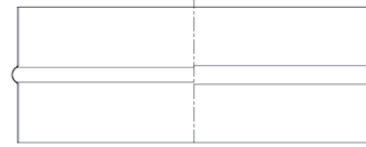
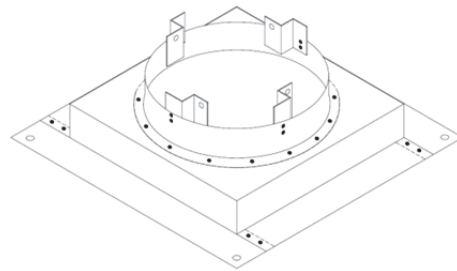


Figure 1 Knockout removal
Retrait du panneau amovible



Intake air starter
Amorce d'entrée d'air ambiant



Decorative grill adapter
Adaptateur de grille décorative

Figure 2

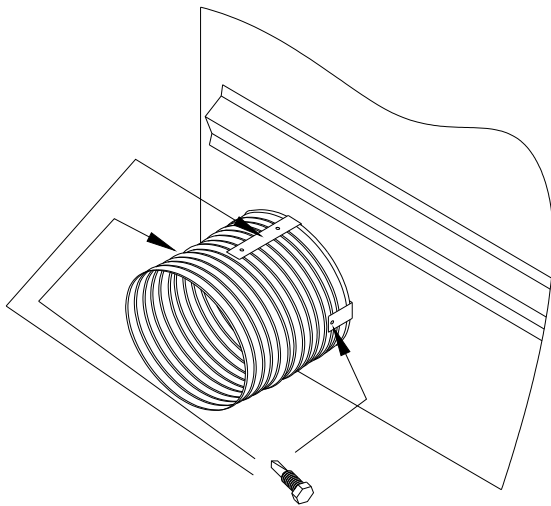


Figure 3 Intake air starter installation
Installation de l'amorce d'entrée d'air ambiant

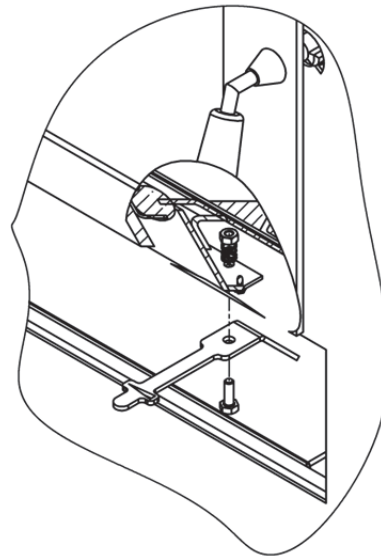


Figure 4 Draft control handle assembly
Assemblage du contrôle d'air