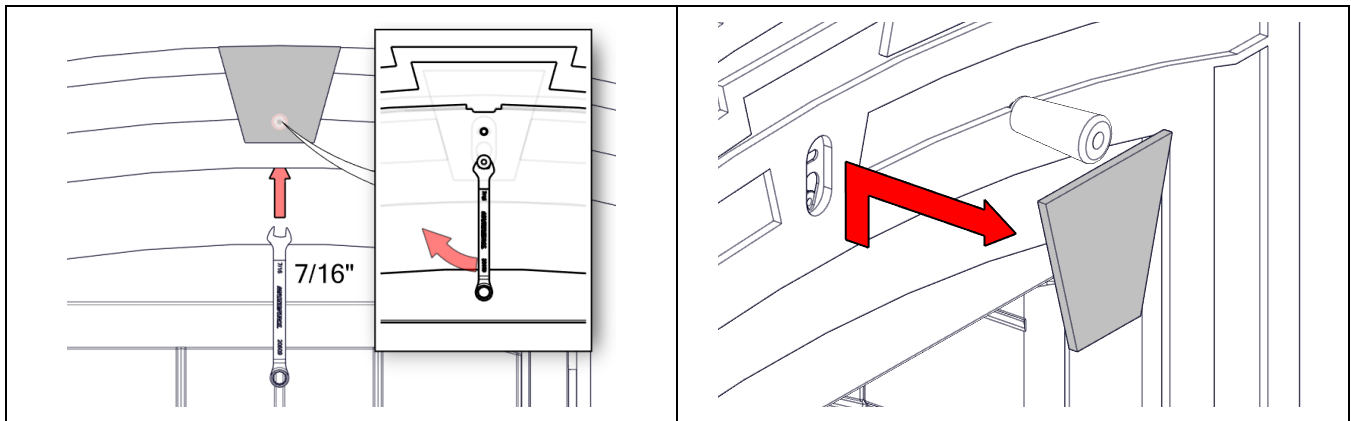


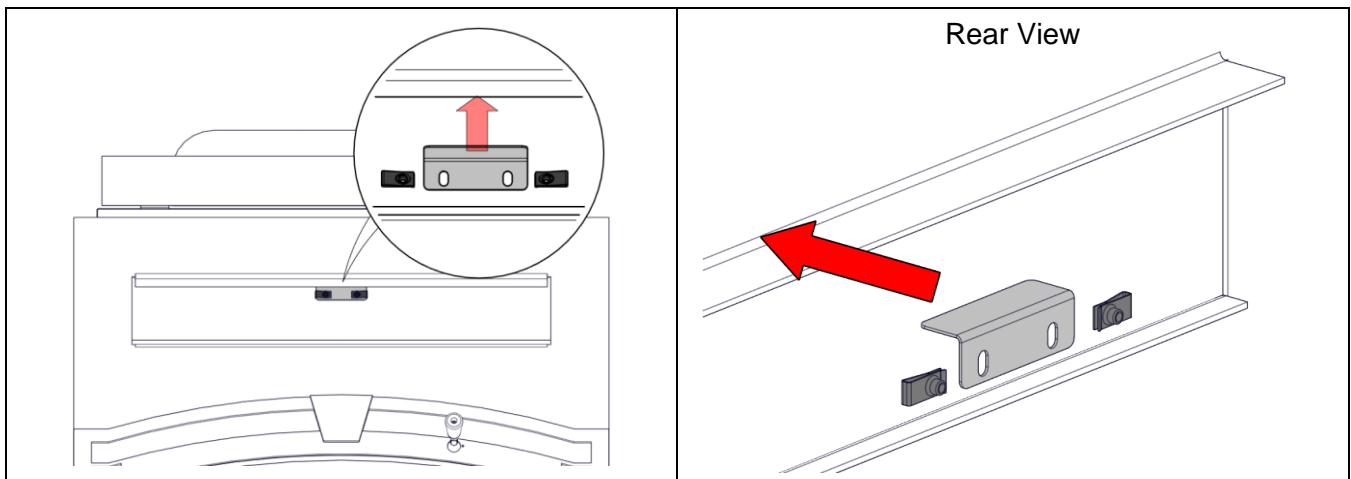
The Top Louver for the Opel+ Keystone is a required option when the top louver is not blocked on the fireplace.

INSTALLATION

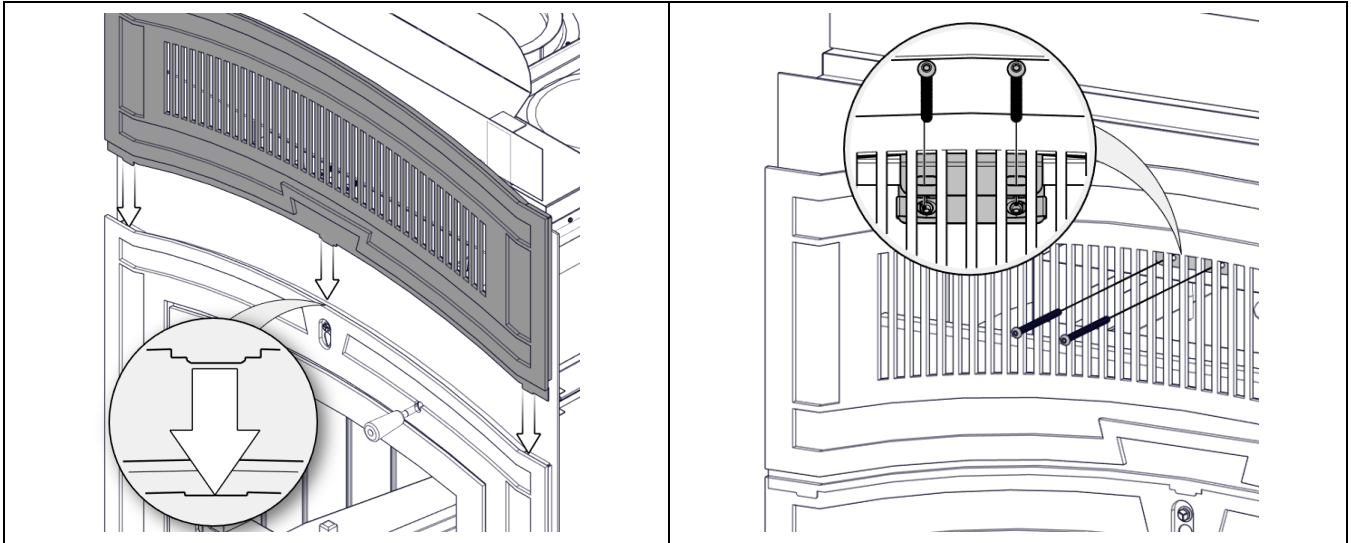
1. Start by removing the small keystone installed on the fireplace. To remove the small keystone, open the door and loosen the nut behind the facing with a $\frac{7}{16}$ " wrench, then lift and remove the small keystone. Remove the nut from the back of the keystone. You will need it for the new larger keystone.



2. Install the bolt support at the top of the louver opening. Center it horizontally in the opening, push up on the inner casing and pull it forward as far as it will go. Install a threaded "U" connector over each hole on the bolt support bracket.



3. Lift the Keystone Louver (~ 25 lbs) and place it on top of the existing faceplate. Align the three tabs on the bottom of the Keystone Louver with the slots in the top of the faceplate. If necessary, the faceplate on the fireplace can be loosened by slightly loosening the bolt that was hidden behind the keystone.
4. Insert the two black bolts through the holes at the top of the Keystone Louver to fasten it in place using a $\frac{5}{32}$ " Allen key. Check to make sure that the top back bend of the louver rests against the fireplace facing over its entire width. Tighten the screws if necessary.



5. Use a $\frac{7}{16}$ " wrench and screw the nut most of the way on the large keystone. Insert the keystone nut into the decorative facing hole and pull it down in place. Tighten the nut on the back side of the faceplate using the wrench.

